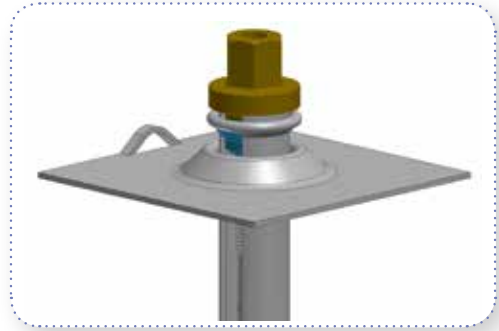


ROCK BOLTS

MECH LOK BOLT**Features**

- Easy installation in very poor ground
- Increased system capacity compared to standard 47mm friction loks
- Improved load transfer due to combination of the friction lok and mechanical anchor bolt working together
- Improved corrosion performance compared to standard friction loks
- Improved shear performance of installed system
- Energy absorbing ring included with bolts to prevent the bar from ejecting if it fails
- No changes required to existing Jumbo drill rigs for installation
- Suits existing drill hole sizes
- Pull tested to 30 tonne without failure
- Patent Pending



Grade Description	M24 Bar Properties Minimum		M24 Bar Properties Typical	
	MPa	kN	MPa	kN
Yield Strength of Steel	500	171	550	190
Tensile Strength of Steel	660	250	700	265
Standard Elongation	Min	15%	Typ	27%
Shear Strength (0.7 x UTS)		223		185

Description	47mm Friction Lok Properties Minimum		47mm Friction Lok Properties Typical		General Data
	MPa	kN	MPa	kN	
Yield Strength of Steel	345	120	445	160	
Tensile Strength of Steel	460	165	510	200	
Cross Sectional Area (mm ²)					355
Mass Per Metre (kg/m)					6.01
Drill Hole Size (mm)					42.1 - 45