

CABLE BOLTS

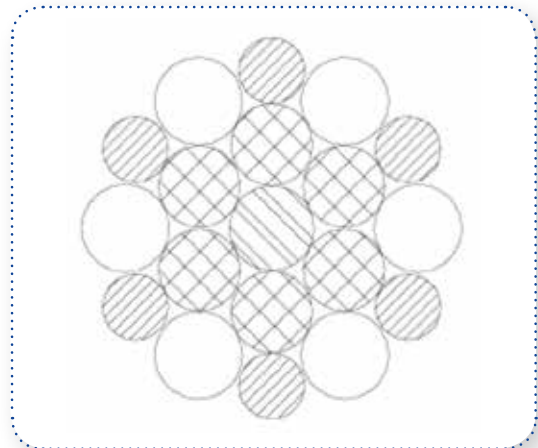
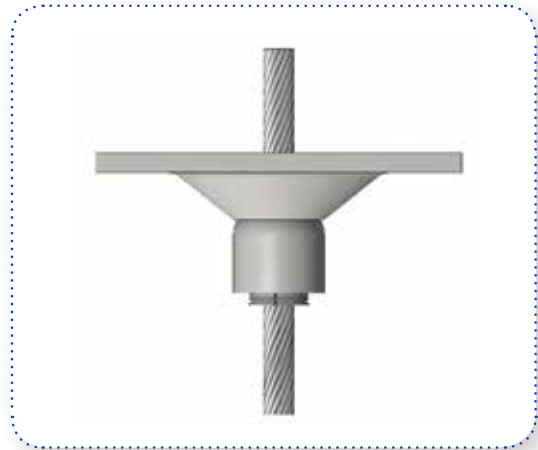
GOLIATH CABLE

Features

- 99 tonne capacity cable bolt
- Highest capacity cable on the market but still maintains flexibility for manual handling during installation
- Plain Goliath cables are installed into 35mm drill holes.
- Special 32mm diameter J-Lok resin capsules are available to maximise encapsulation
- Pre-tensioning jacks available up to 30 tonne
- 80 tonne capacity high tensile plates are available in relatively light weight 14mm thick steel
- Drive ends are painted / colour coded to length

Typical Applications

- Goliath of any length can be readily installed with hand bolters and hydraulic rigs as a point anchored, pre-tensioned support.
- The 4m Goliath can be fully encapsulated with resin installed alongside primary support at the face. Installation time between 6 – 8 minutes.



Strand diameter	Number of wires	Steel Area	Typical Strand Yield Strength	Typical Breaking Load		Elongation at Failure
				Strand	Strand at B&W	
28.6mm	19	532mm ²	850kN (87 tonne)	970kN (99 tonne)	>80 t	5 - 7%