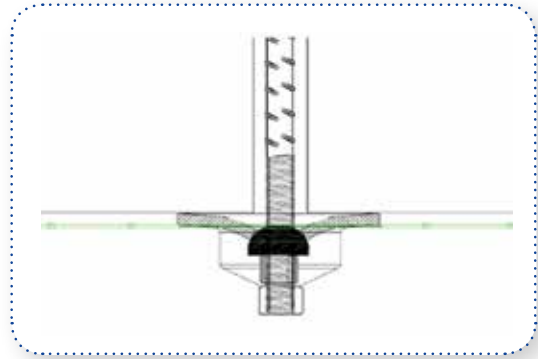


PLATES & W-STRAP

M24 MESH PLATES**Features**

- For pinning mesh against the rock face over top of pre-installed rock bolts
- Welded M24 nut to thread onto existing installed rock bolts
- 200mm round plate to aid spinning the plate against mesh, no corners to catch in the wires
- Extruded extra height to accommodate the standard tail length of an installed bolt, allowing the mesh to be pushed tight against the rock face
- 3mm thick plate for extra strength
- Good for pinning rock fall netting over installed dynamic ground support



Width (mm)	Thickness (mm)	Approx. Collapse Load	Unit Weight (kg/m)
187	2.5	6 Tonne	4.1