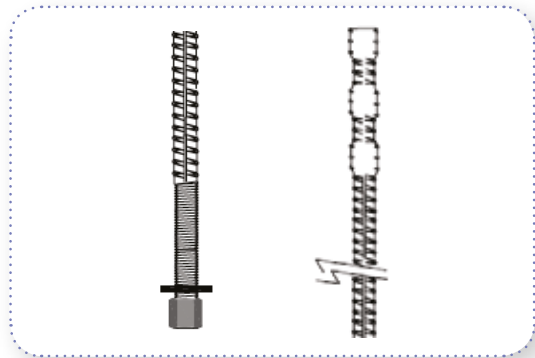


ROCK BOLTS

3/4" PADDLE BOLTS

Features

- 22mm wide paddles on the insertion end promotes shredding of the resin capsule film and efficient mixing in hand-held drill holes
- Normally used for hand held support when using small drill bits
- Can be readily installed with hand operated "windy borers"
- Available with a "C" break-out pin
- Standard 36mm Hex and used as a thrust bolt



Description	3/4" Bar Properties Minimum		3/4" Bar Properties Typical	
	MPa	kN	MPa	kN
Yield Strength of Steel	300	66	350	78
Tensile Strength of Steel	450	98	500	116
Standard Elongation	Min	22%	Typ	27%
Shear Strength (0.7 x UTS)		68		76
Bar Diameter (mm)	Core	17.2mm	Major	19mm
Bar Straightness to AS 1442-1991				
Cross Sectional Area (mm ²)	242			
Mass Per Metre (kg/m)	1.9			
Drill Hole Size Shredder (mm)	32 - 38			
Drill hole size Paddle (mm)	28 - 31			