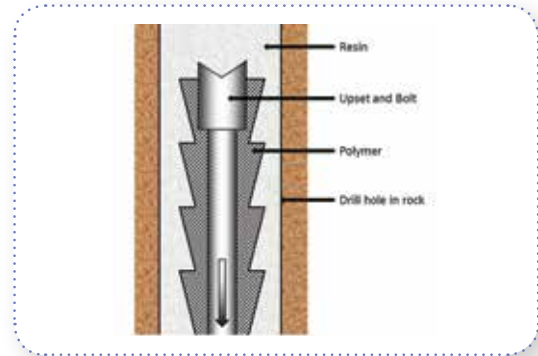


DYNAMIC ROCK BOLT

# YIELD-LOK BOLT 17mm

## Features

- Dynamic testing developed and confirmed by CANMET
- Yielding not effected by resin / grout properties, hole diameter or encapsulation length
- Complete independent test and installation data available on request
- Consistent and repeatable results
- High shear stiffness and strength
- No rig changes required for installation



Input Energy	Displacement
16.7 kJ	150 mm
30 kJ	250 mm
43 kJ	730 mm

Description	Properties Minimum		Properties Typical		General Data
	MPa	kN	MPa	kN	
Yield Strength of steel	517	120	633	147	
Tensile Strength of steel	688	160	844	196	
Standard Elongation min.					8%
Shear Strength (0.7 x UTS)		112		137	

Bar Diameter (mm)	17.2mm
Bar Straightness to AS 1442 - 1991	
Rolled Thread 3/4" Left Hand Thread Automotive Standard	

Cross Sectional Area (mm <sup>2</sup> )	235
Mass Per Metre (kg/m)	2.1
Drill Hole Size (mm)	34 - 40

Note: Average from CANMET testing