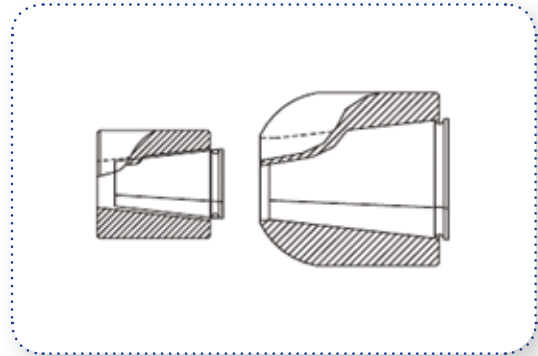


CABLE BOLTS

BARREL & WEDGES**Features**

- Domed Barrels & Wedges for 28mm, 21.8mm and 15.2mm diameter strand are used with volcano plates to achieve installation angles of up to 18 degrees
- Flat Barrels and Wedges in 15.2mm are used on flat plates on cable bolts and with tension blocks on trusses
- All Barrels and Wedges have an oil film coating and are packaged in strong 4 litre buckets for corrosion protection
- Anti-corrosion phosphate coatings on barrels are available for longer term installations
- All Barrels and Wedges MUST be pretensioned to a minimum 8 tonnes to ensure the wedge teeth penetrate the strand to achieve maximum load capacity
- O-Ring in 28mm to prevent grout flowing into the wedges



Applicable Strand Diameter	Length (mm)	Outer Diameter (mm)	Qty/bucket
15.2	44	42	20
21.8	60	58	10
28	70	65	10