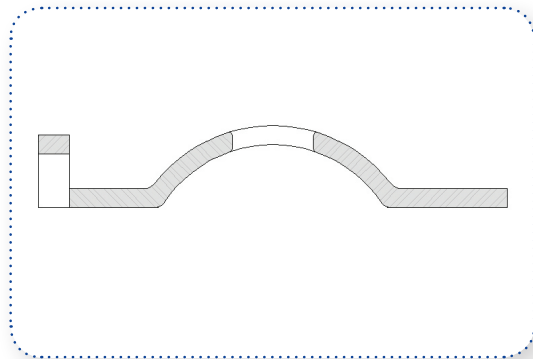
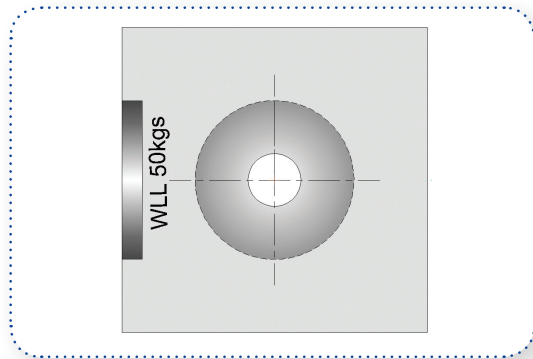


PLATES & W-STRAP

# DOMED PLATES

## Features

- Ideally suited to thrust bolts
- Option available for hand held application with thrust bolts for areas such as walkways where low installation height and safety is paramount
- Low height suits low seam operations, and required no dome ball
- Available as galvanised



PLATES & W-STRAP

Square Dimension (mm)	Thickness (mm)	Hole Diameter (mm)	Approx. Collapse Load * (t)	Unit Weight (kg)	Standard Packaging
150 x 150	6	26	12	1.060	5/bundle 980/pallet
120 x 120	3	36	5	0.340	10/bundle 2000/pallet

\*Tested with a nut over a 100mm hole span