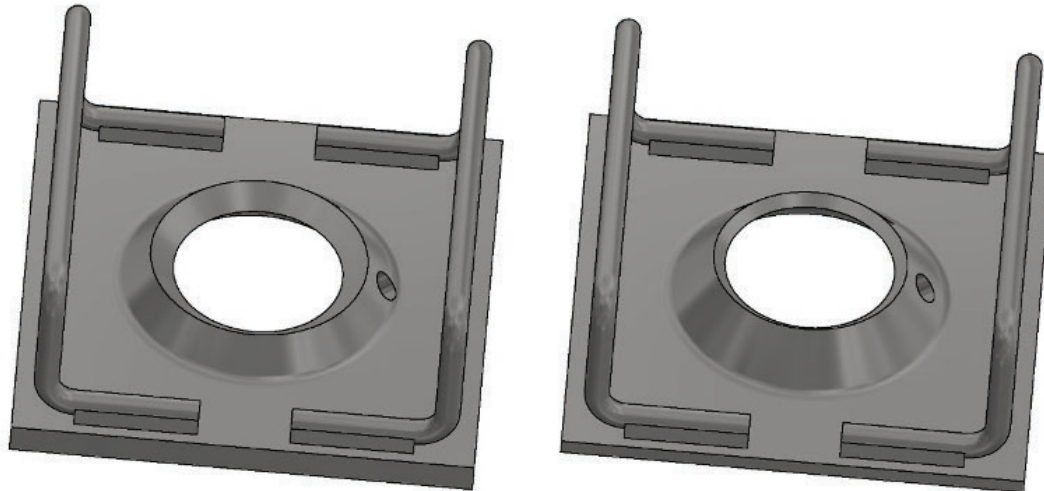


Plates

Black Volcano Handle Bar Plate to Suit SR Bolt with Black Grout Bell



Features:

- High load bearing characteristics
- Dome profile allows for 15° angles of alignment when installing the SR rock bolt fitted with a black grout bell
- Plate supplied in black or galvanized
- Plate is supplied with a 10mm grout indicator hole

Dimension (mm)	Thickness (mm)	Hole diameter (mm)	Minimum Collapse Load (kN)	Minimum Pull through load (kN)	Mass (kg)	Standard pack	Steel Grade
150 x 150	5	55	216	275	1.14	420	350
150 x 150	10	55	216	295	1.91	420	250

Material is in accordance with AS3678-350 and AS/NZS 1594 - HA250 or equivalent
 8mm 1030 grade Handle bars welded in accordance to AS1554
 Conformance Certificates provided for all Civil Products