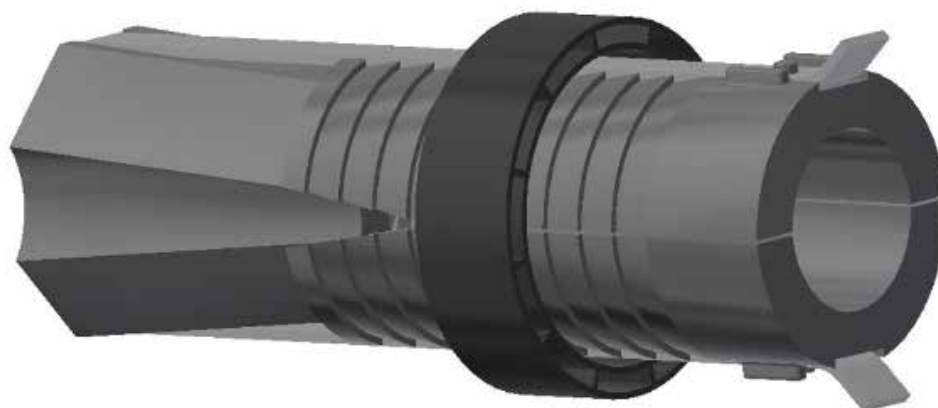


## Temporary Rock Bolt Accessories

### Expansion Shell M24 To Suit 51mm Hole LH



#### Features:

- Able to achieve tension to 50kN in competent ground
- Parallel contact of the expansion shell leaves in bore hole allows for excellent load transfer. Load testing should always be performed to determine the suitability of the anchor.
- Over drilling of the hole depth by a minimum 50mm ensures the expansion shell is correctly engaged with the bore hole

Thread type (mm)	Length (mm)	Mass (kg)	Hole Size (mm)	Minimum Pre Tension (kN)
M24 LH	135	0.75	51	50

Available Black or Hot Dipped Galvanised AS/NZS 4680:2006